



## Planar LookThru Transparent OLED Display

The first-of-its-kind Planar® LookThru™ Transparent OLED Display is a self-emitting display that utilizes cutting-edge Organic Light Emitting Diode (OLED) technology to eliminate the need for a backlight or enclosure, making it possible to create truly see-through installations in a virtually frameless glass design.

With a 55" diagonal, the Planar LookThru OLED features bright, vibrant colors greater than 100 percent National Television System Committee (NTSC) performance, as well as wide viewing angles with no off-axis contrast or brightness limitations. The display provides Full HD resolution that allows for beautiful graphics and full-motion video.

The Planar LookThru OLED is available in two different mounting configurations with optional touch screen interactivity, offering 32 simultaneous touch points. It can be used in both portrait and landscape modes, table top or ceiling mount, and can be tiled to create large, eye-catching video wall arrays. Corning® Gorilla® Glass is optically bonded to the display using Planar® ERO™ (Extended Ruggedness and Optics™) technology to create a highly durable display and accommodate touch screen usage for interactive applications.

To further expand application capabilities with Planar LookThru OLED displays, a range of accessories are available. The accessories include four tiling components that cater to multi-display tiling designs featuring flat or corner configurations. In addition, other accessories available include Base Plates for securing Planar LookThru OLED displays to ceilings and a Platform Cover that creates a staging surface for items placed behind the display while protecting Planar LookThru OLED's electrical components.

## PLANAR LOOKTHRU OLED SPECIFICATIONS

Model	LO55	LO55-T	LO55-S	LO55-S-T
Touch Technology	No	32 pt IR touch	No	32 pt IR touch
Viewable size	55" diagonal			
Display resolution	1920 x 1080, full HD			
Display type	Active Matrix Organic Light-Emitting Diode (AMOLED)			
Surface Treatment	Planar ERO using Corning® Gorilla Glass®			
Peak White Brightness	500 cd/m <sup>2</sup>			
Video Inputs/External Connections	HDMI x4, Display Port x1			
Control and Monitoring	IR, RS-232, USB, LAN, Crestron module			

## Planar LookThru Configurations

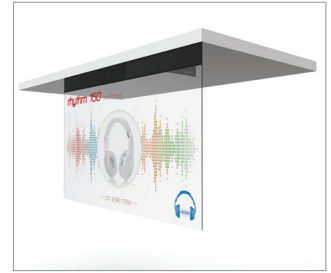
Note: All configurations available with interactive touch, offering 32 simultaneous touch points



Table Top (Standard)



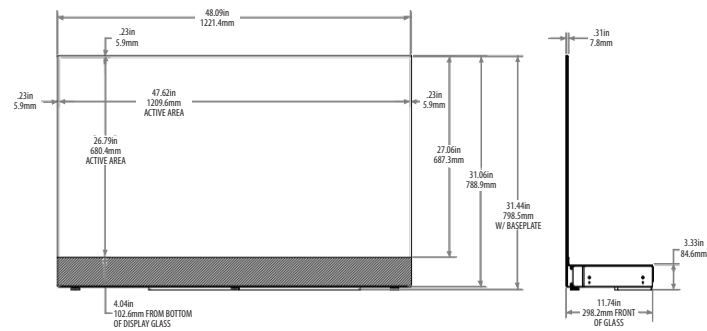
Straight Mount



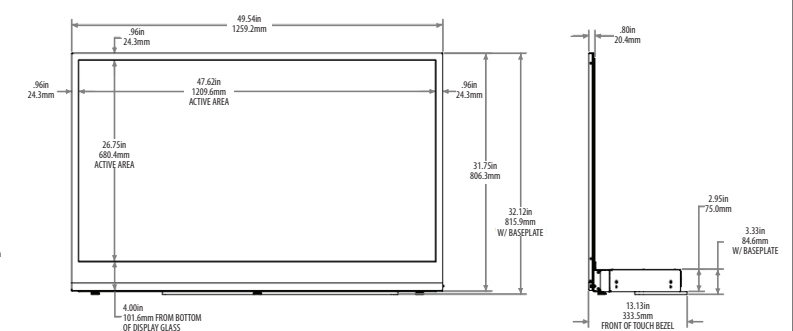
Ceiling Mount (Standard)

## Planar LookThru OLED Transparent Display Standard Configuration for Table Top or Ceiling Mount

### Standard Model - Non-Touch (LO55)



### Standard Model - Touch (LO55-T)



Note: Drawings for additional configurations available at [www.planar.com/LookThru](http://www.planar.com/LookThru).  
Optional Accessories include: Cable cover, merchandise shelf and mounting hardware.

## Accessories and Hardware for Planar LookThru OLED Transparent Display Standard Configurations

### Edge Tiling Component for Flat Configuration

Part Number 935-0422-00



### Center Tiling Component for Flat Configuration

Part Number 935-0421-00



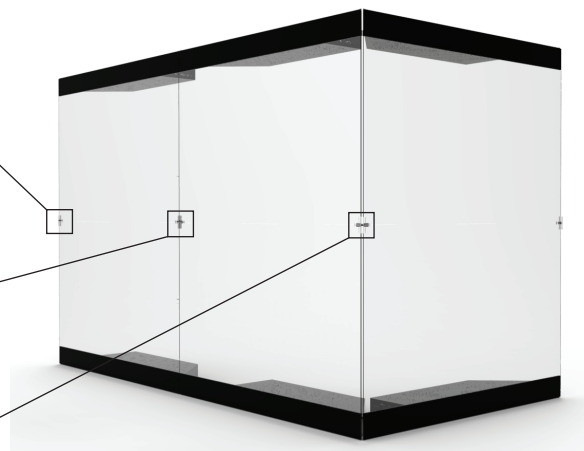
### Center Tiling Component for Corner Configuration

Part Number 935-0423-00



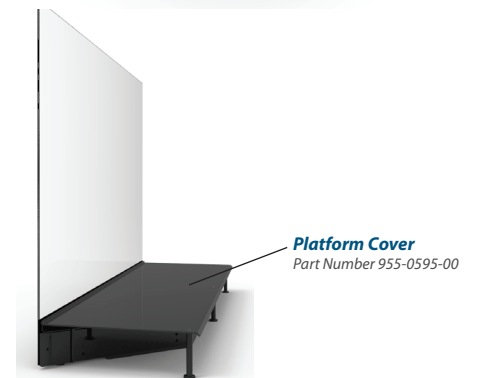
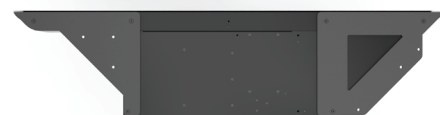
### Edge Tiling Component for Corner Configuration

Part Number 935-0424-00 (not shown)



### Base Plates

Part Number 935-0425-00



### Platform Cover

Part Number 955-0595-00

Note: Drawings for additional configurations available at [www.planar.com/Products/Accessories/LookThru](http://www.planar.com/Products/Accessories/LookThru).  
Tiling accessories are not recommended for Touch models.